

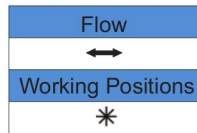
# MODEL : GBV-201 Class 300/600 Cast Steel [ ASME Globe Valve ]



Connection : Flange ANSI 300 | 600

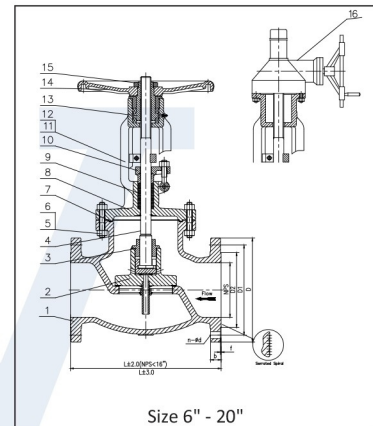
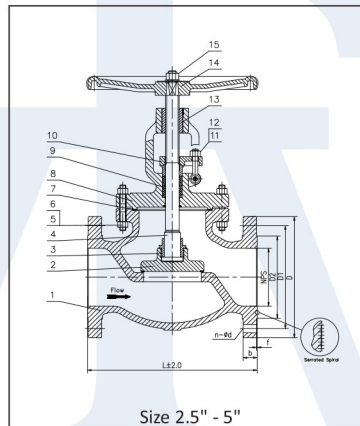
## DESCRIPTION

Design : BS 1873  
 Face to face : ASME B16.10  
 Flanges : ASME B16.5  
 BW ENDS TO ASME B16.25  
 Testing : API 598  
 API 6D  
 BS 6755  
 Rating P-T : ASME B16.34  
 Suitable for : W.O.G



## MATERIAL LIST

No.	Parts	Material
1	*Body	ASTM A216 WCB+Stellite
2	*Disc	ASTM A105+Stellite
3	Disc Cover	CARBON STEEL
4	*Stem	SS%13Cr
5	Bonnet Bolt	ASTM A193 B7
6	Bonnet Nut	ASTM A194 2H
7	Gasket	GRAPHITE+STEEL
8	Bonnet	ASTM A216 WCB
9	Stem Packing	GRAPHITE
10	Gland Flange	ASTM A216 WCB
11	Gland Bolt	ASTM A193 B7
12	Gland Nut	ASTM A194 2H
13	Stem Nut	COPPER ALLOY
14	Hand wheel	DUCTILE IRON
15	Nut	STEEL
16	**Gear + HW	ASSEMBLY



Optional : \*SS304/SS316

\*\* Size 6" to 20" with gear operated

## DIMENSIONS (mm)

NPS	DN	D		D1		D2		b-f		n-Ød		L		Weight (KG)	
		300#	600#	300#	600#	300#	600#	300#	600#	300#	600#	300#	600#	300#	600#
2"	50	165		127		92		22-2	25-7	8-Ø19		267	292	27	39
2 1/2"	65	190		149.2		105		26-2	29-7	8-Ø22		292	330	39	45
3"	80	210		168.3		127		29-2	32-7	8-Ø22		318	356	55	65
4"	100	255	275	200	215.9	157		32-2	38-7	8-Ø22	8-Ø25	356	432	82	140
5"	125	280	330	235	266.7	186		35-2	45-7	8-Ø22	8-Ø29	400	508	100	170
6"	150	320	355	269.9	292.1	216		37-2	48-7	12-Ø22	12-Ø29	444	559	160	250
8"	200	380	420	330.2	349.2	270		41-2	56-7	12-Ø25	12-Ø32	559	660	270	470
10"	250	445	510	387.4	431.8	324		48-2	64-7	16-Ø29	16-Ø35	622	787	450	720
12"	300	520	560	450.8	489	381		51-2	67-7	16-Ø32	20-Ø35	711	838	600	990
14"	350	585	605	514.4	527	413		54-2	70-7	20-Ø32	20-Ø38	838	889	860	1300
16"	400	650	685	571.5	603.2	470		57-2	76-7	20-Ø35	20-Ø41	864	991	1080	1950
18"	450	710	745	628.6	654	533		60-2	83-7	24-Ø35	20-Ø44	978	1092	1360	2400
20"	500	775	-	685.8	-	584	-	64-2	-	24-Ø35	20-Ø32	1016	-	1530	-